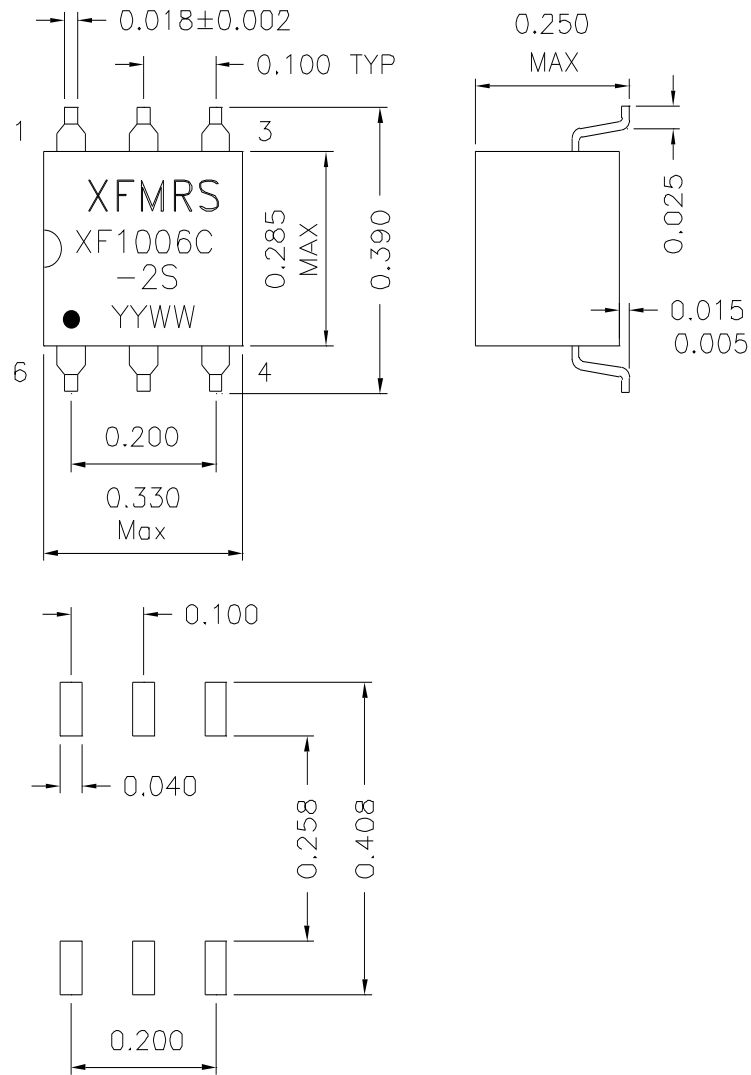
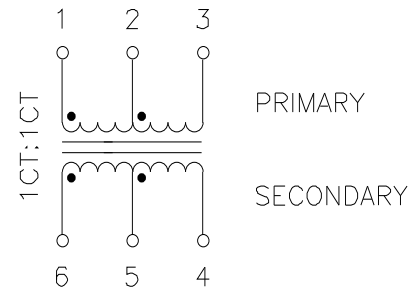


1. Dimensions:



SUGGESTED PCB LAYOUT

2. Schematic:



3. Electrical Specifications: @25°C

ISOLATION: 500VAC

TURNS RATIO: (PIN1-2-3):(PIN6-5-4)=1CT:1CT ±3%

PIN1-3 OCL: 100uH ±20% @100KHz 100mV

PRI LL: 0.2uH Maximum @100KHz 100mV SEC SHORTED

PIN1-6 Cw/w: 10pF Maximum @100KHz 100mV

PIN1-3 DCR: 0.3 OHMS Maximum

DOC. REV B/1

XFMRS Inc	Title: TRANSFORMERS		
	UNLESS OTHERWISE SPECIFIED	P/N: XF1006C-2S	REV. B
TOLERANCES: .xxx ±0.010	DWN.	李清儿	Sep-10-98
Dimensions in INCH	CHK.	孙悦	Sep-10-98
SHEET 1 OF 1	APP.	Joe Huff	Sep-10-98